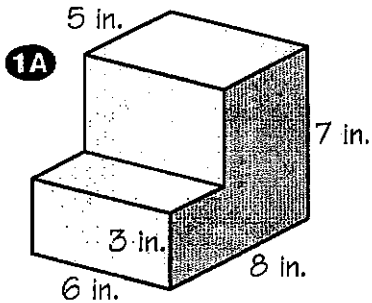


<div style="border: 1px solid black; padding: 5px; width: 50px; float: left; margin-bottom: 5px;">WU Stamp</div> <div style="border: 1px solid black; padding: 5px; width: 50px; float: left;">Part. Score</div>	<p>Monday's Warm-up</p>
<div style="border: 1px solid black; padding: 5px; width: 50px; float: left; margin-bottom: 5px;">WU Stamp</div> <div style="border: 1px solid black; padding: 5px; width: 50px; float: left;">Part. Score</div>	<p>Tuesday's Warm-up</p>
<div style="border: 1px solid black; padding: 5px; width: 50px; float: left; margin-bottom: 5px;">WU Stamp</div> <div style="border: 1px solid black; padding: 5px; width: 50px; float: left;">Part. Score</div>	<p>Wednesday's Warm-up</p>
<div style="border: 1px solid black; padding: 5px; width: 50px; float: left; margin-bottom: 5px;">WU Stamp</div> <div style="border: 1px solid black; padding: 5px; width: 50px; float: left;">Part. Score</div>	<p>Thursday's Warm-up</p>
<div style="border: 1px solid black; padding: 5px; width: 50px; float: left; margin-bottom: 5px;">WU Stamp</div> <div style="border: 1px solid black; padding: 5px; width: 50px; float: left;">Part. Score</div>	<p>Friday's Warm-up</p>

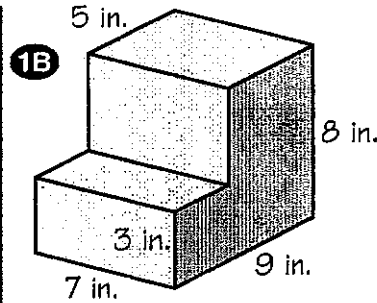
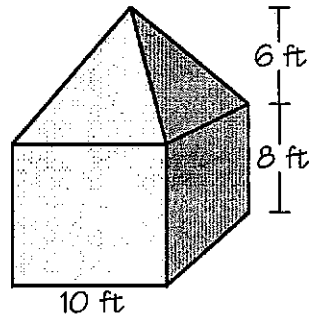
<div style="border: 1px solid black; padding: 5px; text-align: center;">HW Score</div>	<div style="border: 1px solid black; padding: 5px; text-align: center;">Part. Score</div>	<div style="border: 1px solid black; padding: 5px; text-align: center;">WU Score</div>	<div style="border: 1px solid black; padding: 5px; text-align: center;">Other Score</div>	<p>Comments:</p>
--	---	--	---	------------------

What Might You Send to People Who Buy a House With No Water?

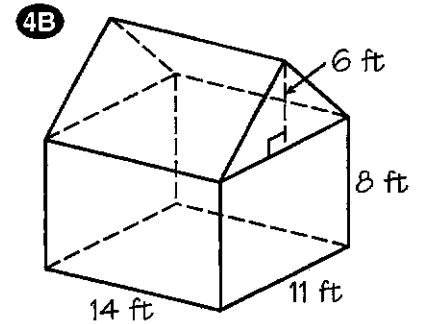
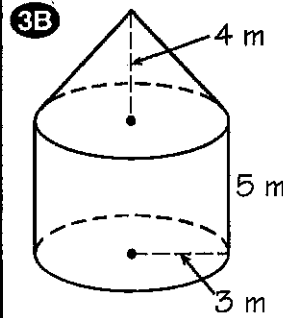
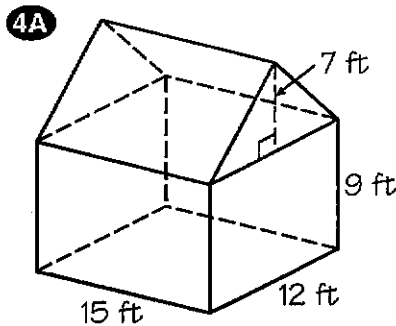
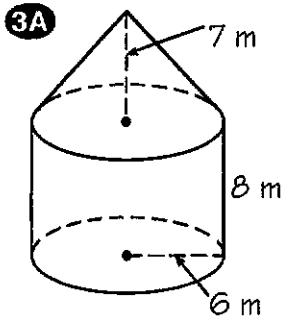
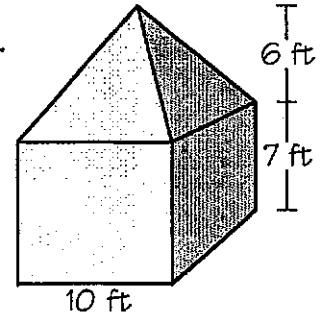
Find the volume of each composite space figure (some answers are rounded). Partner A should do the left side and Partner B the right side. Cross out the letters above each correct answer. When you finish, write the remaining letters in the spaces at the bottom of the page.



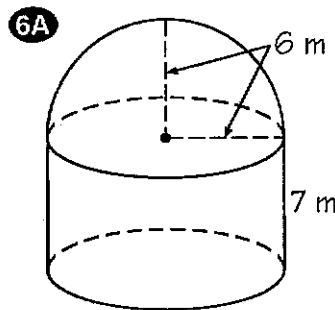
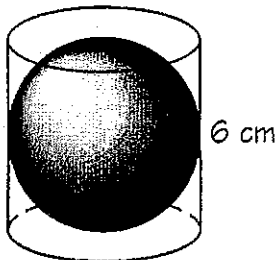
2A The floor of this tent is square.



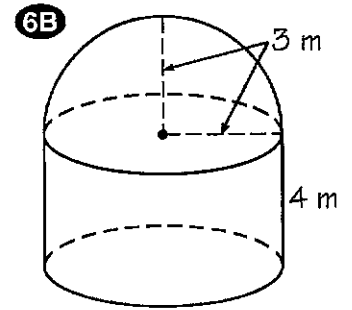
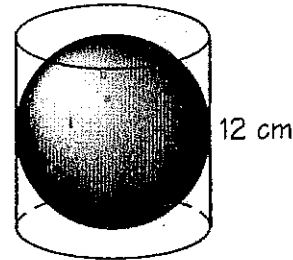
2B The floor of this tent is square.



5A Find the volume inside the cylinder but outside the sphere.



5B Find the volume inside the cylinder but outside the sphere.



DR	AG	IF	TO	ET	WE	TS	EA	LL	IT
2250 ft ³	63.8 cm ³	1243 m ³	1000 ft ³	1224 m ³	1840 ft ³	56.5 cm ³	264 in. ³	238 in. ³	1168 m ³

AL	SO	LD	ON	LY	CA	LL	ME	BI	RD
900 ft ³	435 cm ³	170 m ³	1370 ft ³	1694 ft ³	175 m ³	452 cm ³	364 in. ³	179 m ³	375 in. ³